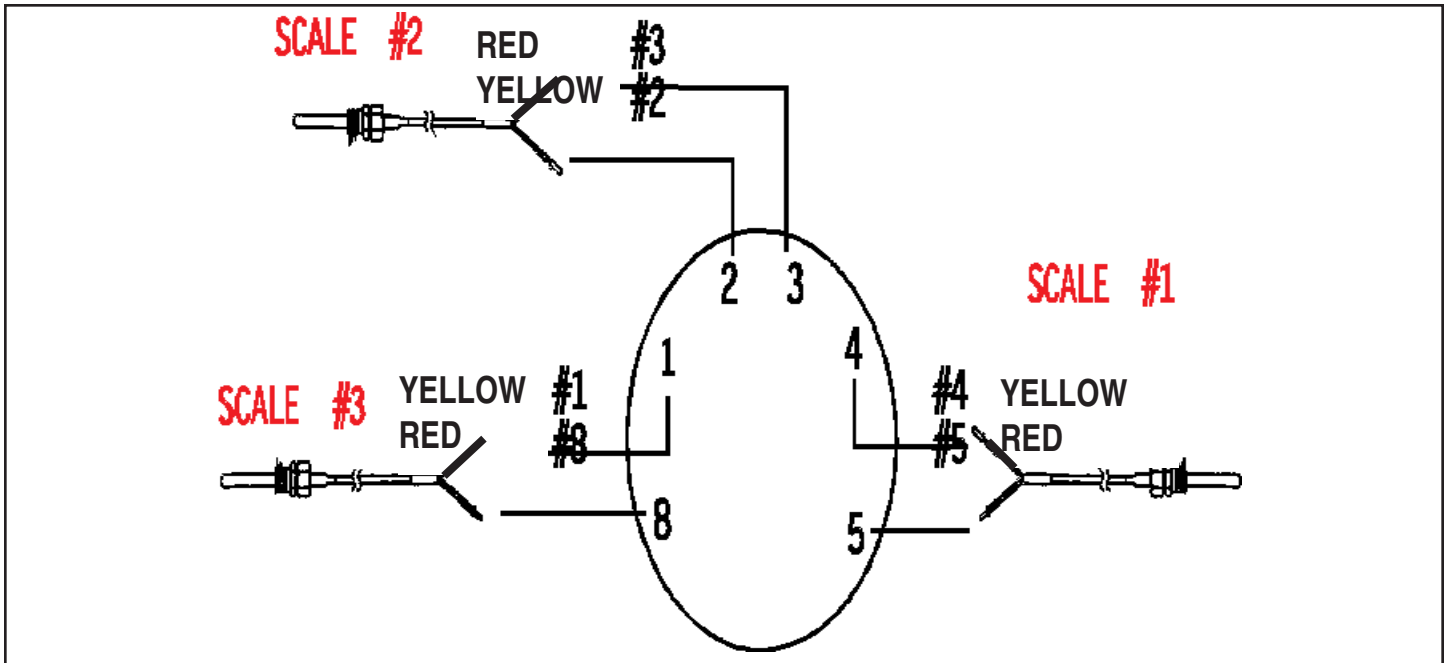




HOOK-UP INSTRUCTIONS EGT GAUGE #900-268



For left scale #1:

Connect pin #4 to the yellow probe lead
Connect pin #5 to the red probe lead

For center scale #2:

Connect pin #2 to the yellow probe lead
Connect pin #3 to the red probe lead

For right scale #3:

Connect pin #1 to the yellow probe lead
Connect pin #8 to the red probe lead

NOTE:

The patch cable may be lengthened up to 20 feet using 22 ga standard wire.

Connecting the instrument to 12 volts will damage it. Connect only to the correct probe (part #900-298 or #900-299).

Thank you for choosing HPE for your snowmobiling needs.