

INSTRUCTIONS

Snow Flap Support Bracket

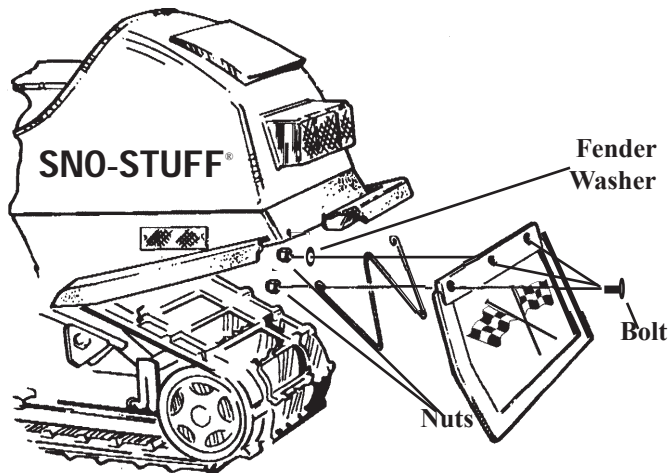
Kit Includes:

- 1 Support Bracket
- 3 Truss Head Slotted Bolt (1/4-20x 1in.)
- 3 Lock Nut
- 1 Instructions
- 1 Fender Washer

NOTE: If your snowflap is fastened with rivets, you will need to replace them with Truss Head Bolts (1/4-20 x 1in.).

1. Remove the three screws and lock nuts securing the existing snowflap; then remove the snowflap.
2. Place the support bracket into position on the rear of the snowmobile; then place the snowflap into position. Install supplied Fender Washer on center sno flap bolt behind bracket as shown on picture. Secure with new bolts and lock nuts. Tighten securely.

NOTE: The support bracket must be positioned beneath the snowflap.



Sno-Stuff | 17003 County Road 181 | Paynesville, MN 56362

www.Sno-Stuff.com

561-790-700

INSTRUCTIONS

Snow Flap Support Bracket

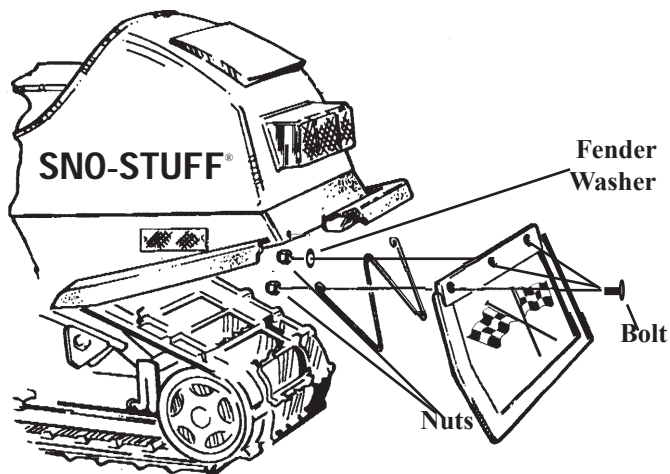
Kit Includes:

- 1 Support Bracket
- 3 Truss Head Slotted Bolt (1/4-20x 1in.)
- 3 Lock Nut
- 1 Instructions
- 1 Fender Washer

NOTE: If your snowflap is fastened with rivets, you will need to replace them with Truss Head Bolts (1/4-20 x 1in.).

1. Remove the three screws and lock nuts securing the existing snowflap; then remove the snowflap.
2. Place the support bracket into position on the rear of the snowmobile; then place the snowflap into position. Install supplied Fender Washer on center sno flap bolt behind bracket as shown on picture. Secure with new bolts and lock nuts. Tighten securely.

NOTE: The support bracket must be positioned beneath the snowflap.



Sno-Stuff | 17003 County Road 181 | Paynesville, MN 56362

www.Sno-Stuff.com

561-790-700