

POWERMADD Plastic Mini-Ski

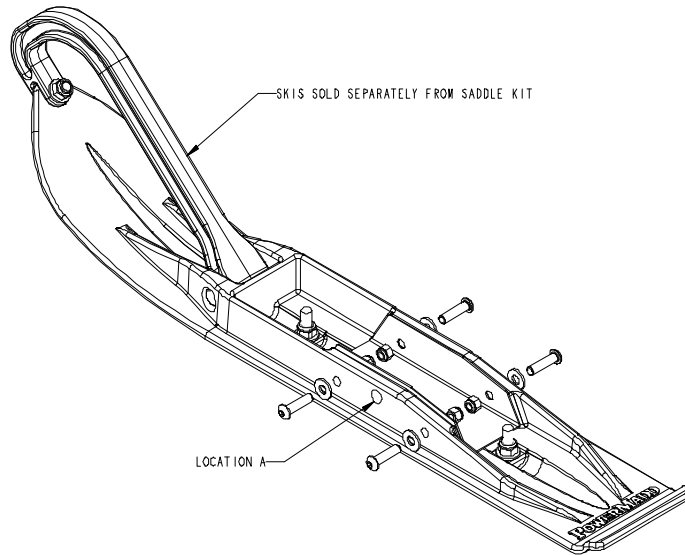
Mounting Instructions for Drag-Ski Saddle Kit Part No. 15893

TOOLS REQUIRED:

- 5/32" Allen Wrench
- 7/16" Wrench
- Electric Drill

HARDWARE INCLUDED:

Item	Qty	Description
1*	2	Drag-Ski Saddles
2	8	1/4-20 Cap Screws
3	8	1/4" Flat washers
4	8	1/4-20 Lock nuts



SCALE · 0.500 TYPE · ASSEM NAME · PP0105 SIZE · A

* Drag-Ski Saddles are made of stainless steel, but are designed to be lightweight. It is the driver's responsibility to determine if #15893 will be strong enough for their application. You may need to fabricate your own saddles to meet your specific application.

Step 1: Mount the saddles into the ski using the provided hardware and your 5/32" Allen wrench and 7/16" wrench, as shown in the illustration above.

Step 2: Mark and drill a hole at **LOCATION A** to match the size of your mounting bolt.

Congratulations! We hope you thoroughly enjoy using your Plastic Mini-Ski for many years.

LIMITED WARRANTY

POWERMADD warrants this product to be free from defects in material and workmanship under use for the purpose it was intended. **POWERMADD** shall not be liable for damage or injury caused by defective materials or workmanship. **POWERMADD** may elect to repair or replace this product, but is the sole judge of any defects in their product. This warranty does not cover any labor costs to remove or reinstall this product and is effect for one year from the original purchase date.

POWERMADD[®]
1-800-435-6881
www.powermadd.com

PP0105 REV A