

POWERMADD[®] Spare Oil & Storage

Mounting Instructions for: Ski-Doo S.O.S. Part No. 14804

HARDWARE INCLUDED:

<u>Item</u>	<u>Qty</u>	<u>Description</u>
1	1	Ski-Doo S.O.S.
2	3	Self Taping Screws
3	2	Washers

Mounting Options: PowerMadd's Ski-Doo S.O.S. is designed to mount on the backside of either foot well of the MXZ chassis. On the older MXZ chassis the chaincase may interfere with the S.O.S. and would have to be mounted on the clutch side foot well. On the newer MXZ chassis the chaincase does not interfere and this side would be the preferred mounting location. On some models you will be able to mount an S.O.S. on both sides.

Chaincase Side Installation (Figure 1): Simply install two of the self tapping screws supplied through the S.O.S. into the existing holes in the foot well, as shown in the diagram. If needed, use the two washers as shims to raise the S.O.S. because some 2002 Ski-Doos have rivets that would interfere.

Clutch Side Installation (Figure 2): Drill out the two rivets holding the belt cover latch bracket to the foot well. Place the S.O.S. on the foot well, lining it up with the indicated existing foot well holes in the diagram. Install one supplied self tapping screw through the S.O.S. into the indicated hole closest to the belly pan, leaving it slightly loose to allow for adjustment. Next, install the screw closest to the engine, passing through the bracket, with the supplied washer between the bracket and the foot well as a spacer, through the indicated existing hole in the foot well. Next, install the middle screw through the bracket and S.O.S., into the existing hole in the foot well, as indicated in the figure. Adjust S.O.S. and bracket so the belt cover latches properly, and tighten all screws.

LIMITED WARRANTY

POWERMADD[®] warrants this product to be free from defects in material and workmanship, and may elect to repair or replace this product. This warranty does not cover any labor costs to remove or reinstall this product. To inquire on the warranty of this product, please contact POWERMADD[®].
, please contact POWERMADD

POWERMADD[®]

1-800-435-6881

www.powermadd.com

PP5027 REV A

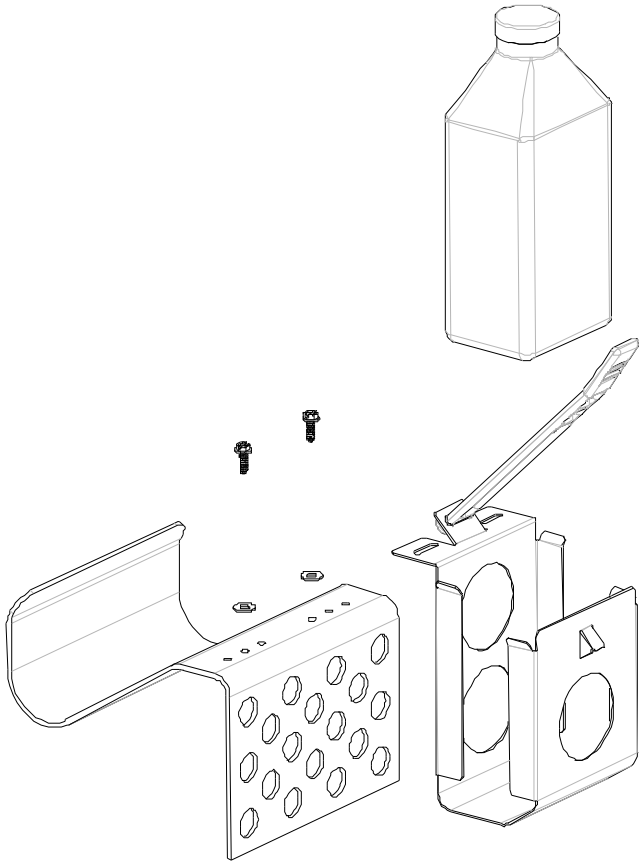


Figure 1: Exhaust Side Mount

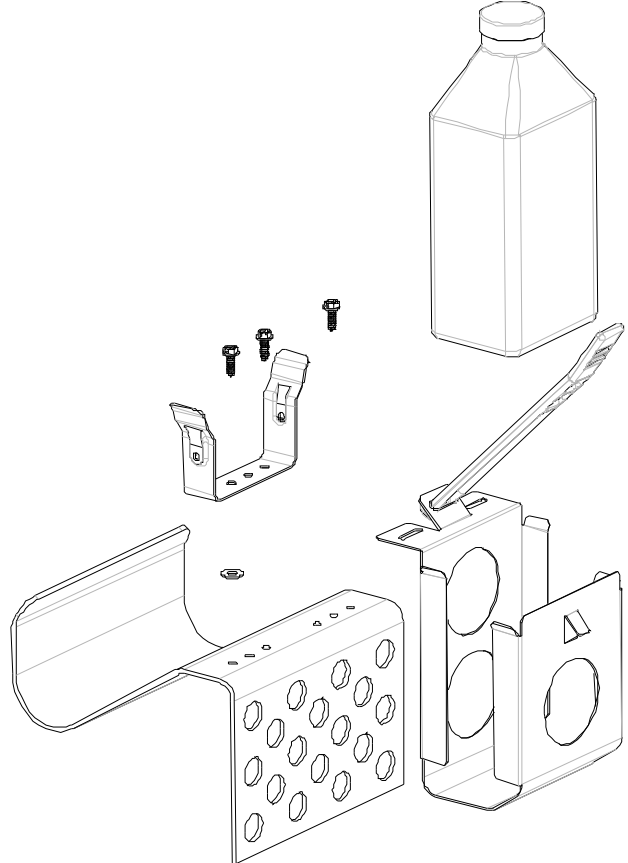


Figure 2: Clutch Side Mount